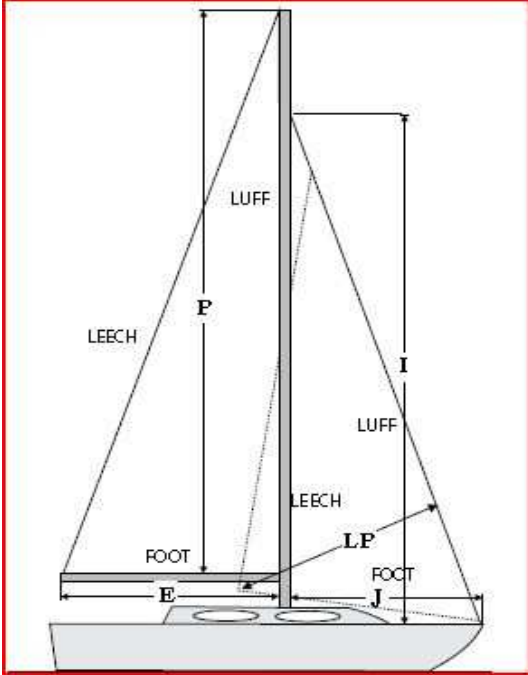


## Sail Measurement Form

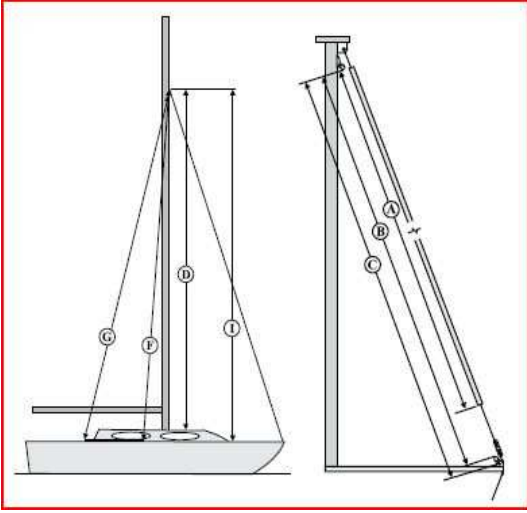
Yelkenbicer's database of boat rig specifications is extensive and in most cases, no further information is required to prepare a sail. However, if your boat's rig is custom or has been modified, please confirm all data. A proper fitting sail is only as good as the measurements used to cut the fabric.

Yelkenbicer recommends taking and recording accurate measurements to reference the next time a sail quote is needed.



### General Rig Information

Specifications	Size	Description
<b>I</b>		Height of foretriangle. Measured from the deck to the highest useful point on the forward side of the mast. Often the intersection of the forestay and the mast or the top of a spinnaker block if mounted above the forestay.
<b>J</b>		Base of foretriangle. Measured from the center of the stay at the stem to the front of the mast horizontal to the waterline.
<b>P</b>		Longest reach of the mainsail along mast. Stretch is often limited by bands when measuring boats for racing.
<b>E</b>		Longest reach of the mainsail along boom. An outer band is used to limit stretch for rating purposes.
<b>P miz</b>		Longest reach of the mizzen along its mast.
<b>E miz</b>		Longest reach of the mizzen along its boom.
<b>LP</b>		Luff Perpendicular (based on J measurement). A line perpendicular to the luff and measured to the clew shortest distance from the clew to the luff). A sail described as a 50% would have an LP length equal to 150% of J.



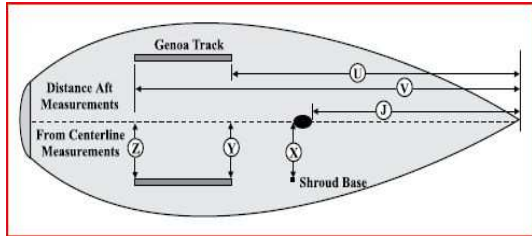
## Headsail Measurements

Use a tape rule hoisted on the jib halyard. If you have a furling unit, hoist the rule from the furling unit's swivel sail attachment point. Do not try to account for stretch.

Furling / Tuff \_\_\_\_\_ Model \_\_\_\_\_  
 Luff Tipi \_\_\_\_\_

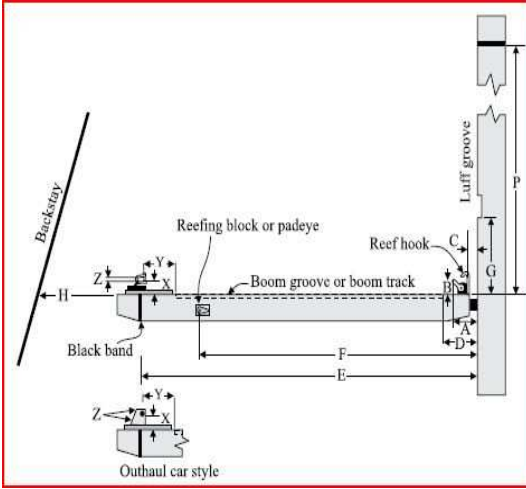
Luff Tape Size (if known): \_\_\_\_\_

	Hoisted Measurements	Description
<b>A</b>		To the feeder (furling units or tuff luff systems only)
<b>B</b>		To the bearing surface on tack fitting (if you have a furling unit this is to the tack fitting above the drum)
<b>C</b>		To intersection of headstay & deck
<b>D</b>		To cabin house at mast
<b>F</b>		Pass tape around shrouds as if the leech of the sail, then the forward end of the track and pull tight.
<b>G</b>		To the aft end of track
<b>I</b>		See "I" in General Rig Specifications above.



## Deck Level Measurements

	Size	Description
<b>Measured Headstay - Aft</b>		
<b>J</b>		See 'J' in General Rig specifications above.
<b>U</b>		To the forward edge of track.
<b>V</b>		To the aft end of track.
<b>Measured Centerline - Out</b>		
<b>X</b>		To the shroud base.
<b>Y</b>		To the forward edge of track.
<b>Z</b>		To the aft end of track.



## Mainsail Measurements





Please Select;

Main Sail

Mizzen

	Size	Description
<b>A</b>		Aft face of mast to bearing point of tack fitting.
<b>B</b>		Top of boom to bearing point of tack fitting.
<b>C</b>		Aft of face of mast to bearing point of reef hook (if any)
<b>D</b>		Aft face of mast to start of groove or track.
<b>E</b>		Maximum foot length measured from aft face of mast to tightest/longest outhaul setting or to the inside of the black measurement band on the boom (indicate measurement method)
<b>F</b>		From back of mast to reefing block or padeye (if any). Give measurements for all positions if more than one.
<b>G</b>		Bottom of the luff groove or track to top of boom.
<b>H</b>		Measure from aft face of mast to backstay horizontally at boom level.
<b>P</b>		On main halyard, hoist a tape measure until it stops. (i.e., to the sheave). From the sheave measure straight down to top of boom.
<b>X</b>		From bearing point on outhaul car to top of boom.
<b>Y</b>		From black band to end of boom groove or boom track.
<b>Z</b>		Width of shackle jaw or clew attachment.

**Select the Appropriate Style & Size of Boltrope, Slug, or Slide:**

<b>Boltrope</b>	<b>Slug</b>	<b>External Slide</b>	<b>Internal Slide</b>
			

<b>Luff</b>	<b>Foot</b>	<b>Luff</b>	<b>Foot</b>	<b>Luff</b>	<b>Foot</b>	<b>Luff</b>	<b>Foot</b>
6mm	6mm	6mm	6mm	16mm	16mm	16mm	16mm
8mm	8mm	8mm	8mm	22mm	22mm	19mm	19mm
10mm	10mm	10mm	10mm	22mm	22mm	12mm	12mm
12mm	12mm						



**Please return completed form by fax or e-mail**

Remember a proper fitting sail is only as good as the measurements provided!

**Yelkenbicer Sailmakers**

**Telephone:**+90 (232) 257 6341

**Fax:**+90 (232) 257 6241

**Mobile:**+90 (532) 393 6673

**E-Mail:** info@yelkenbicer.com

www.yelkenbicer.com

Name	
Address	
Phone*	
E-Mail	
Comments	